

# LRD - SERIES

Labotek Rotor Hopper Dryer  
Dessicant drying of plastic materials

**NEW!**



# LRD - Labotek Rotor Hopper Dryer

## Introduction

The new compact LRD series offers a lightweight dryers for mounting on the machine with hopper volumes of 30 to 100 L. Using the desiccant rotor technology results in a high drying performance at a constant dew point of  $-35^{\circ}\text{C}$  or better. The dry air volume is 15 - 30  $\text{m}^3/\text{h}$ .

Controlled regeneration and rotor technology guarantees a high energy efficiency and low power consumption.

## Standard features & advantages

- Dry air dew point is  $-35^{\circ}\text{C}$  or better
- No compressed air or cooling water needed
- Process air temperatures  $50-140^{\circ}\text{C}$
- Automatic operation with daily/weekly timer
- Side-channel blower
- Easy access process airfilter
- Honeycomb rotor dry air technology
- 3 dew point settings
- Low maintenance
- Control with integrated "LESS" function to reduce energy consumption and protect against over drying
- 3 levels of drying performance
- Supporting base

## Optional features LT no.

- Electronic safety thermoregulator 220244
- Dew point sensor 220241
- Mobile frame with catch box 220243
- Hand-held control 220240
- Continuous dew point control value to operate at requested dew points (requires a dew point sensor)



The proven Honeycomb technology ensures the ability to operate with constant dew point values throughout the whole working cycle.



Wired remote control



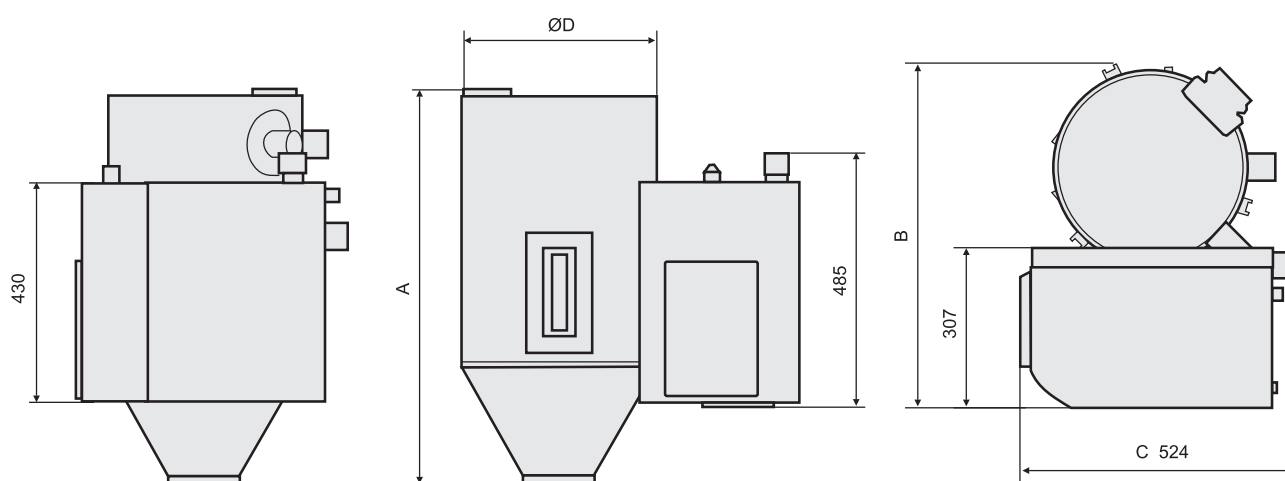
Supporting base for easy installation of dryer on machine throat, comprehensive of manual sliding gate and side discharge outlet for fast cleaning.

## Technical specifications

	LRD 30	LRD 50	LRD 75	LRD 100
Air flow [m <sup>3</sup> /h]	15	20	25	30
Air dew point [°C]	-35 or better			
Process blower [W]	70	70	70	70
Regeneration fan [W]	8			
Cooling fan [W]	8.6			
Process heater [W]	1600			
Regeneration heater [W]	800			
Drying temp. range [°C]	From 50-140°C without cooling water			
Supply voltage	230 V / 1 / 50 Hz			
Hopper volume [ l ]	30	50	75	100
LT no.	101530	101531	101532	101533

## Dimensions

Type LRD	30	50	75	100
A - Hight	740	740	940	940
B - Width	643	764	764	826
C - Depth	524	524	524	524
Ø D	370	490	490	550





**Labotek A/S**  
Stroebjergvej 29  
DK-3600 Frederikssund

Representative

+45 4821 8411  
info@labotek.dk  
www.labotek.com