

LaboLink

Automatic Coupling Station



LaboLink

Introduction

Labotek Labo-Link series takes full control of the distribution of granular raw plastic materials to the destination as per customer requirements. A user-friendly Siemens interface via a 7" colour touch screen provides automatic control of conveying raw materials to Injection moulding, Extrusion or Blow moulding machines without any chance of cross-contamination between the materials' sources and their final destination.

The LaboLink system is easily synchronized with the Labo-Net system through Siemens Profinet cable and enables a great visual appearance. Labo-Net is able to handle the Labotek Energy Saving Systems & Labotek frequency-controlled vacuum stations as standard. The Labo-Net uses network communication between system components via the well-known, flexible and very reliable AS-Interface and Siemens Profi Net.

The LaboLink Series offers...

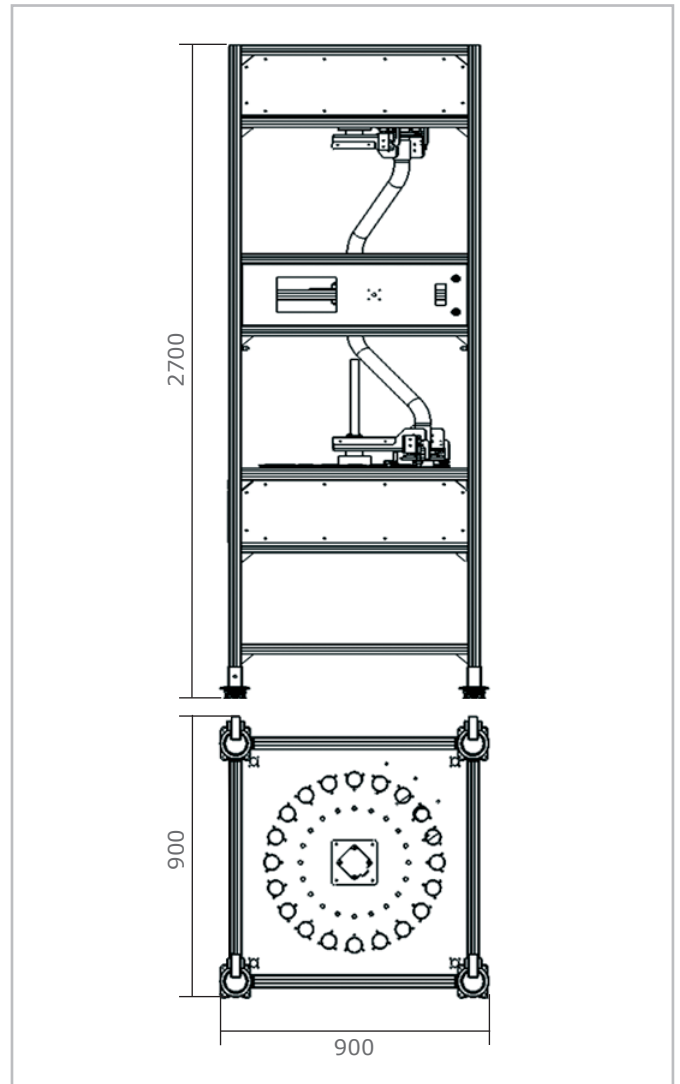
- Small-footprint framework comes with levelling caster wheels
- Available in 3 sizes: Standard Ø 50 mm, Ø 38 mm and Ø 65 mm
- Dual sensors for the positioning system
- Stepper motor with gearbox - accurate positioning capabilities and high torque delivery at high speeds
- Integrated all-door security system
- Pneumatic push-pull type configuration for accurate & leak proof conveying
- Unmatched flexibility in configuration options, giving a superior visual appearance
- Material contact points are in stainless steel
- Internet connectivity for remote access included (VPN via Labo-Net)
- Standard Material Data Base with 100 recipes - quick recipes change
- Ease of use, no need for special training
- Acoustic alarm
- 3 years warranty



Built-in 7" Color touch control for easy operation



Material contact points in stainless steel



Technical data	
Dimensions W x H x L	900 x 2700 x 900 mm
Supply voltage	240 V 50/60 Hz
Pipe size	Ø 50 mm
Number of inlets	20
Number of outlets	20
Part number	103900
Approx. machine weight	300 kg
Approx. shipping weight	470 kg

ABUS 51

Baker



**3 years
warranty**

Labotek offers 3 years warranty
- excluding wear parts

Labotek A/S
Stroebjergvej 29
DK-3600 Frederikssund

Representative

+45 4821 8411
info@labotek.dk
www.labotek.com